



GLOBE FAN

GLOBEFAN TECHNOLOGY CO., LTD.

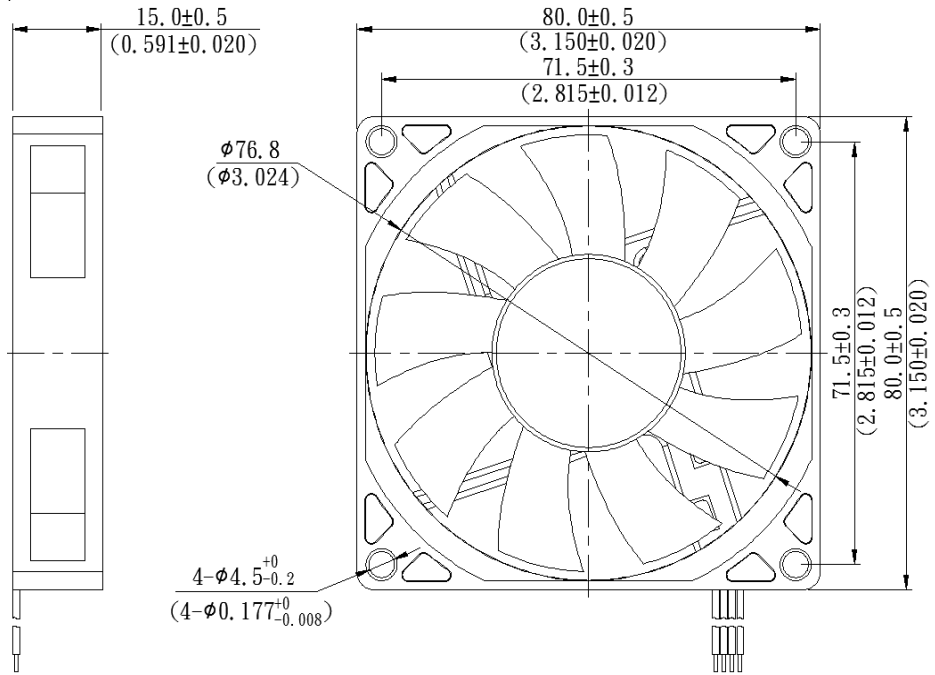
No. 28, 3 Lane Zhongxinjin Road, Jin Industry District Shoei Koo Village,

Da Laang Town, Dungguan City, Guangdong Province, China

Tel : +86 769 83182898~9

Fax : +86 769 83182897

◆ DIMENSIONS DRAWING



◆ 80x80x15mm DC Axial Fan P/Q Curves (At rated speed)A Version

* BEARING TYPE

- Ball bearing
- Sleeve bearing

* Electrical Function

- Frequency Generator Output Signal
- RD (Lock Detection) Output Signal
- PWM(Pulse Width Modulation)

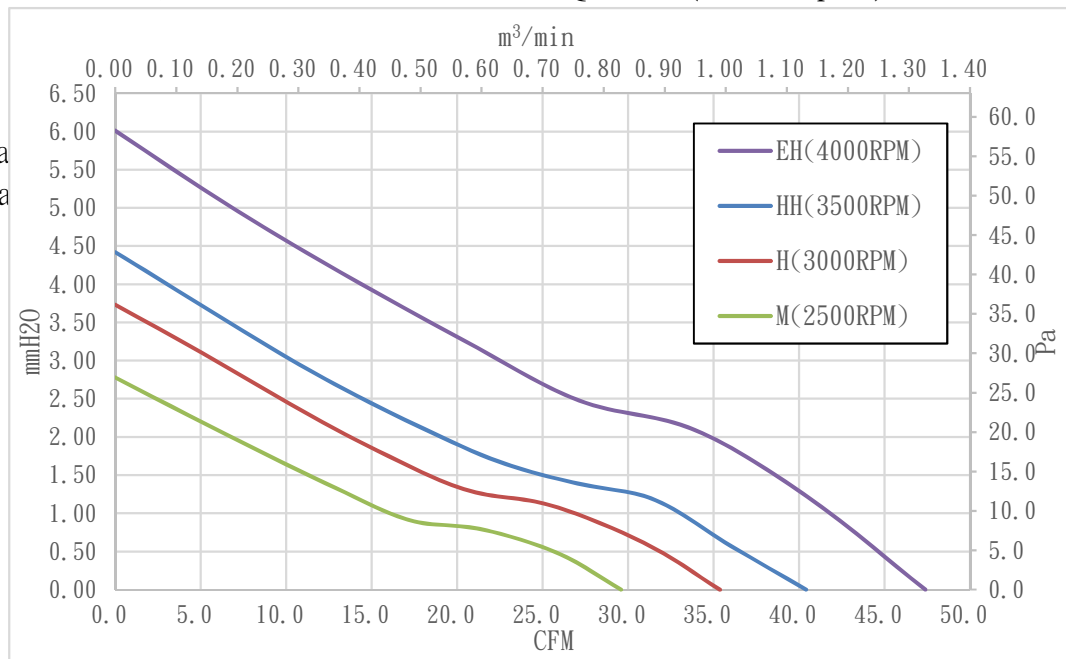
* Material

Impeller:Plastic (PBT 30%GF)
Frame :Plastic (PBT 30%GF)

* Lead wires

UL1007 26AWG or Equivalent
Black Wire Negative (-)
Red or Yellow Wire Positive (+)
Green Wire Signal (FG)
Blue Wire (PWM)

* Weight :54.4g (1.92 oz)



MODEL	Operating Voltage Range	Rated Voltage	Rated Current	Rated Input Power	Speed	Maximum Air Flow		Maximum Air Pressure		Noise
Part No.	VDC	VDC	Amp	Watts	R.P.M	m ³ /min	CFM	mmH ₂ O	Pa	dB(A)
B/S0801512EHP-4M	10.2 ~12.6	12	0.30	3.6	4000±10%	1.34	47.39	6.01	58.94	40.4
B/S0801512HHP-4M	10.8 ~13.8	12	0.30	3.6	3500±10%	1.14	40.42	4.42	43.35	36.4
B/S0801512HP-4M	10.8 ~13.8	12	0.25	3.0	3000±10%	1.00	35.37	3.73	36.58	32.6
B/S0801512MP-4M	10.8 ~13.8	12	0.15	1.8	2500±10%	0.84	29.59	2.78	27.26	27.1

* Function type is optional.

* The max. air flow and speed are measured in free air; max. air pressure is measured at close to zero air flow.

* Noise is measured in anechoic chamber in free air, one meter from intake side.

* All readings are typical values at rated voltage.

* Specifications are subject to change without notice.